



## Function

Your transformer and some of your loads constantly use reactive energy. **Fixed COSYS PFC** power correction systems are intended to compensate this permanent reactive energy from 10 to 60 kvar.

## General characteristics

- Self healing capacitors.
- Capacitor automatic disconnection in case of internal overpressure.
- Cabinet or enclosure colour RAL 7035.
- Protection index IP20 or IP30 depending on the model.
- Rated voltage: Three phase 400 V.
- Rated frequency: 50 Hz.
- Operating temperature: -5 °C to + 40 °C.
- Tolerance of the capacitor value: -5, +5 %.
- Discharge resistor on each load bank: < 50 V after 1 minute.
- Capacitor internal connection: delta mounting.

## Conformity to standards

- IEC 60439-1
- IEC 60664
- IEC 60831-1
- IEC 60831-2
- EN 60439-1
- EN 60831-1
- EN 60831-2
- EN 50081-1
- EN 50082-2

## Available on request

- Other voltages.
- Other protection index.
- Other enclosures.

Harmonic levels	PFC21	PFC22	PFC23	PFC24
Detuned frequency (with reactor)		N = 3,78	N = 2,7	N = 4,3
Admissible overload current	2 In	2 In	2 In	2 In

➤ References

COSYS PFC21 with heavy duty capacitor Puissance à 400 VAC (kvar) <sup>(1)</sup>	Fixed capacitor bank without switch	Fixed capacitor bank with switch
	Reference	Reference
10	5972 2010	5972 1010
15	5972 2015	5972 1015
20	5972 2020	5972 1020
30	5972 2030	5972 1030
40	5972 2040	5972 1040
50	5972 2050	5972 1050
60	5972 2060	5972 1060

Other power ranges and voltages: Please consult us.

COSYS PFC22 with detuned filter reactor 3,78 Power at 400 VAC (kvar) <sup>(1)</sup>	Fixed capacitor bank without switch	Fixed capacitor bank with switch
	Reference	Reference
10	5973 2010	5973 1010
15	5973 2015	5973 1015
20	5973 2020	5973 1020
30	5973 2030	5973 1030
40	5973 2040	5973 1040
50	5973 2050	5973 1050

Other power ranges and voltages: Please consult us.

COSYS PFC23 with detuned filter reactor 2,7 Power at 400 VAC (kvar) <sup>(1)</sup>	Fixed capacitor bank without switch	Fixed capacitor bank with switch
	Reference	Reference
10	5974 2010	5974 1010
15	5974 2015	5974 1015
20	5974 2020	5974 1020
30	5974 2030	5974 1030
40	5974 2040	5974 1040
50	5974 2050	5974 1050

Other power ranges and voltages: Please consult us.

COSYS PFC24 with detuned filter reactor 4,3 Power at 400 VAC (kvar) <sup>(1)</sup>	Fixed capacitor bank without switch	Fixed capacitor bank with switch
	Reference	Reference
10	597A 2010	597A 1010
15	597A 2015	597A 1015
20	597A 2020	597A 1020
30	597A 2030	597A 1030
40	597A 2040	597A 1040
50	597A 2050	597A 1050

Other power ranges and voltages: Please consult us.

## ➔ Fixed COSYS PFC - Characteristics

### COSYS PFC21 with heavy duty capacitor

Power At 400 VAC (kvar) <sup>(1)</sup>	I nominal (A)	gG fuse (A)	FUSERBLOC (A)	Cable Cu (3 x mm <sup>2</sup> )	Figure n°	Figure n° with switch.	H x W x D (mm)	H x W x D (mm) with switch.	Weight (kg)	Weight with a switch (kg)
10	14	25	CD25	4	1	5	395x170x80	515x560x190	4	7
15	22	32	CD32	6	2	5	395x240x80	515x560x190	6	9
20	29	50	50	10	3	5	475x285x150	515x560x190	10	13
30	43	63	100	25	3	5	475x285x150	515x560x190	11	15
40	58	100	100	35	4	5	475x445x150	515x560x190	15	19
50	72	125	125	50	4	5	475x445x150	515x560x190	16	20
60	87	125	125	50	4	5	475x445x150	515x560x190	18	22

Other power ranges and voltages: Please consult us.

### COSYS PFC22 with detuned filter reactor 3,78

Power At 400 VAC (kvar) <sup>(1)</sup>	I nominal (A)	gG fuse (A)	FUSERBLOC (A)	Cable Cu (3 x mm <sup>2</sup> )	Figure n°	Figure n° with switch.	H x W x D (mm)	H x W x D (mm) with switch.	Weight (kg)	Weight with a switch (kg)
10	14	16	CD25	4	6	6	811x600x286	811x600x286	50	52
15	22	32	CD32	6	6	6	811x600x286	811x600x286	53	57
20	29	50	50	10	6	6	811x600x286	811x600x286	55	59
30	43	63	100	25	6	6	811x600x286	811x600x286	63	67
40	58	100	100	35	6	6	811x600x286	811x600x286	72	77
50	72	125	125	50	6	6	811x600x286	811x600x286	77	82

Other power ranges and voltages: Please consult us.

### COSYS PFC23 with detuned filter reactor 2,7

Power At 400 VAC (kvar) <sup>(1)</sup>	I nominal (A)	gG fuse (A)	FUSERBLOC (A)	Cable Cu (3 x mm <sup>2</sup> )	Figure n°	Figure n° with switch.	H x W x D (mm)	H x W x D (mm) with switch.	Weight (kg)	Weight with a switch (kg)
10	14	16	CD25	4	6	6	811x600x286	811x600x286	50	52
15	22	32	CD32	6	6	6	811x600x286	811x600x286	53	57
20	29	50	50	10	6	6	811x600x286	811x600x286	55	59
30	43	63	100	25	6	6	811x600x286	811x600x286	63	67
40	58	100	100	35	6	6	811x600x286	811x600x286	72	77
50	72	125	125	50	6	6	811x600x286	811x600x286	77	82

Other power ranges and voltages: Please consult us.

### COSYS PFC24 with detuned filter reactor 4,3

Power At 400 VAC (kvar) <sup>(1)</sup>	I nominal (A)	gG fuse (A)	FUSERBLOC (A)	Cable Cu (3 x mm <sup>2</sup> )	Figure n°	Figure n° with switch.	H x W x D (mm)	H x W x D (mm) with switch.	Weight (kg)	Weight with a switch (kg)
10	14	16	CD25	4	6	6	811x600x286	811x600x286	50	52
15	22	32	CD32	6	6	6	811x600x286	811x600x286	53	57
20	29	50	50	10	6	6	811x600x286	811x600x286	55	59
30	43	63	100	25	6	6	811x600x286	811x600x286	63	67
40	58	100	100	35	6	6	811x600x286	811x600x286	72	77
50	72	125	125	50	6	6	811x600x286	811x600x286	77	82

Other power ranges and voltages: Please consult us.

## ➔ Dimensions

Figure 1

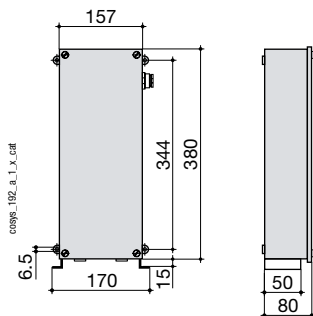
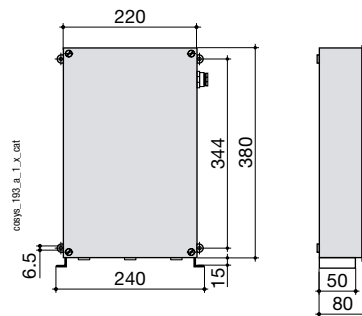


Figure 2



Dimensions (continued)

Figure 3

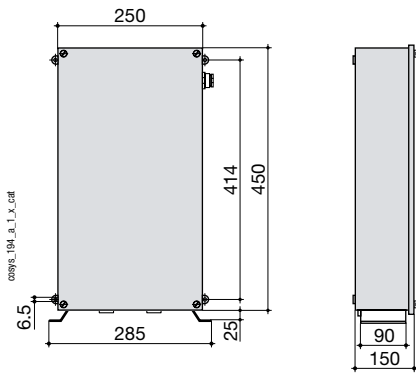


Figure 4

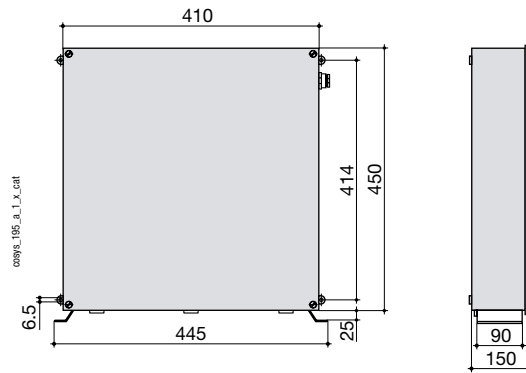


Figure 5

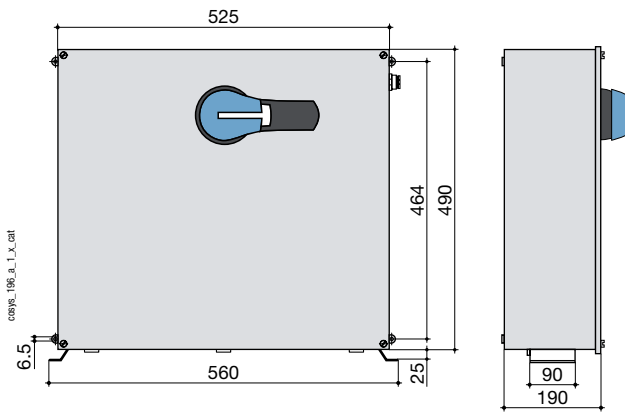


Figure 6

